

*Premium Safe **NEXT** is launched in commemoration of the company's 30th anniversary and deserves to be a masterpiece of the safes in design, security and convenience.*



Modern refined design

- Special door panels
- Slide Cover for Lock hide
- Well finished smart plinth

Spacious Interior

- More useful inside space
- Adjustable Shelf
- Wooden drawers

Fire & Burglary protection

- 1 hour fire resistance (NT Fire 017)
- Smoke and Heat blocking frames
- Reinforced Locking Bolts (Φ 32)
- Anti-drill steel plate on major points



MTC : D120616
60Min under NT FIRE017
RSC in Security by UL1037

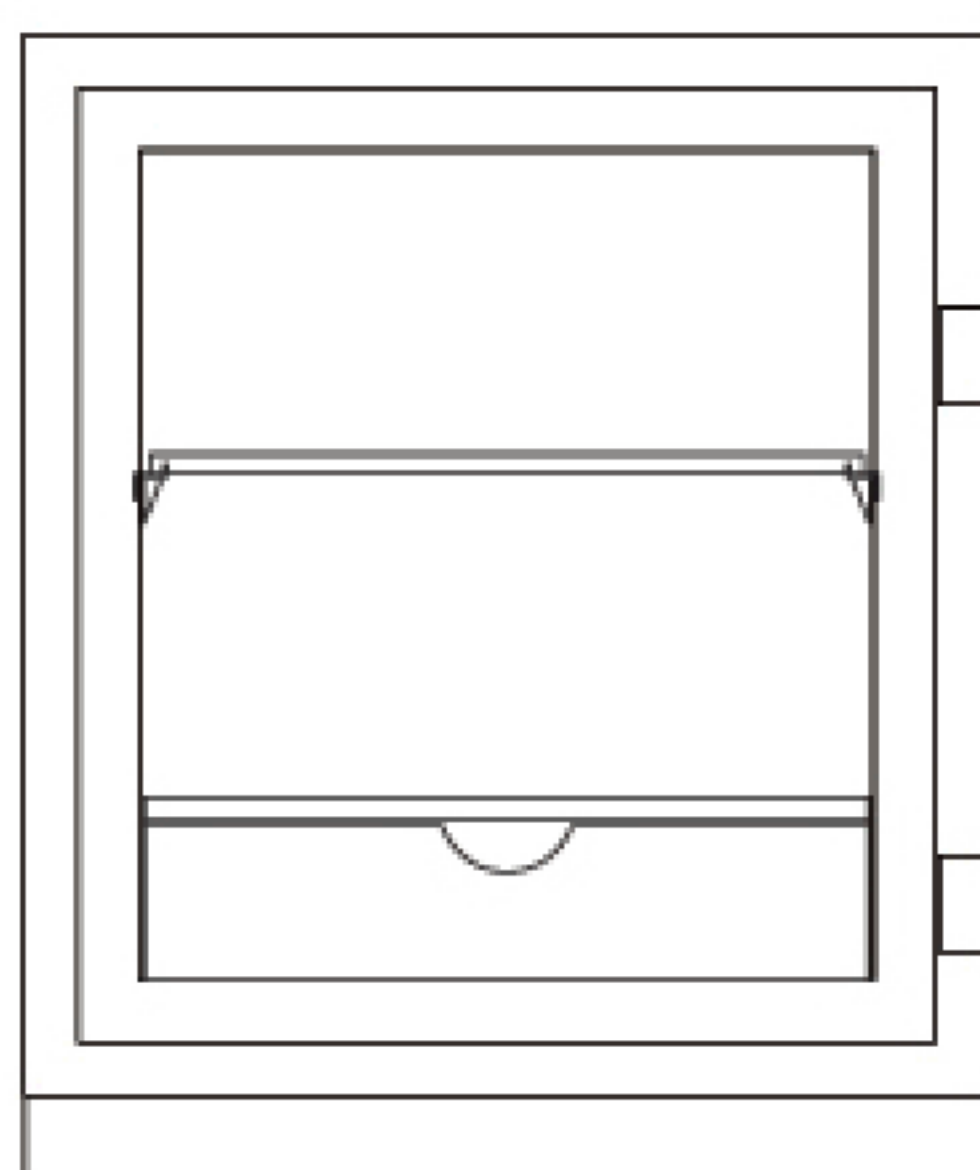
Advanced Digital Lock TFL

Smart Touch screen & Finger print lock



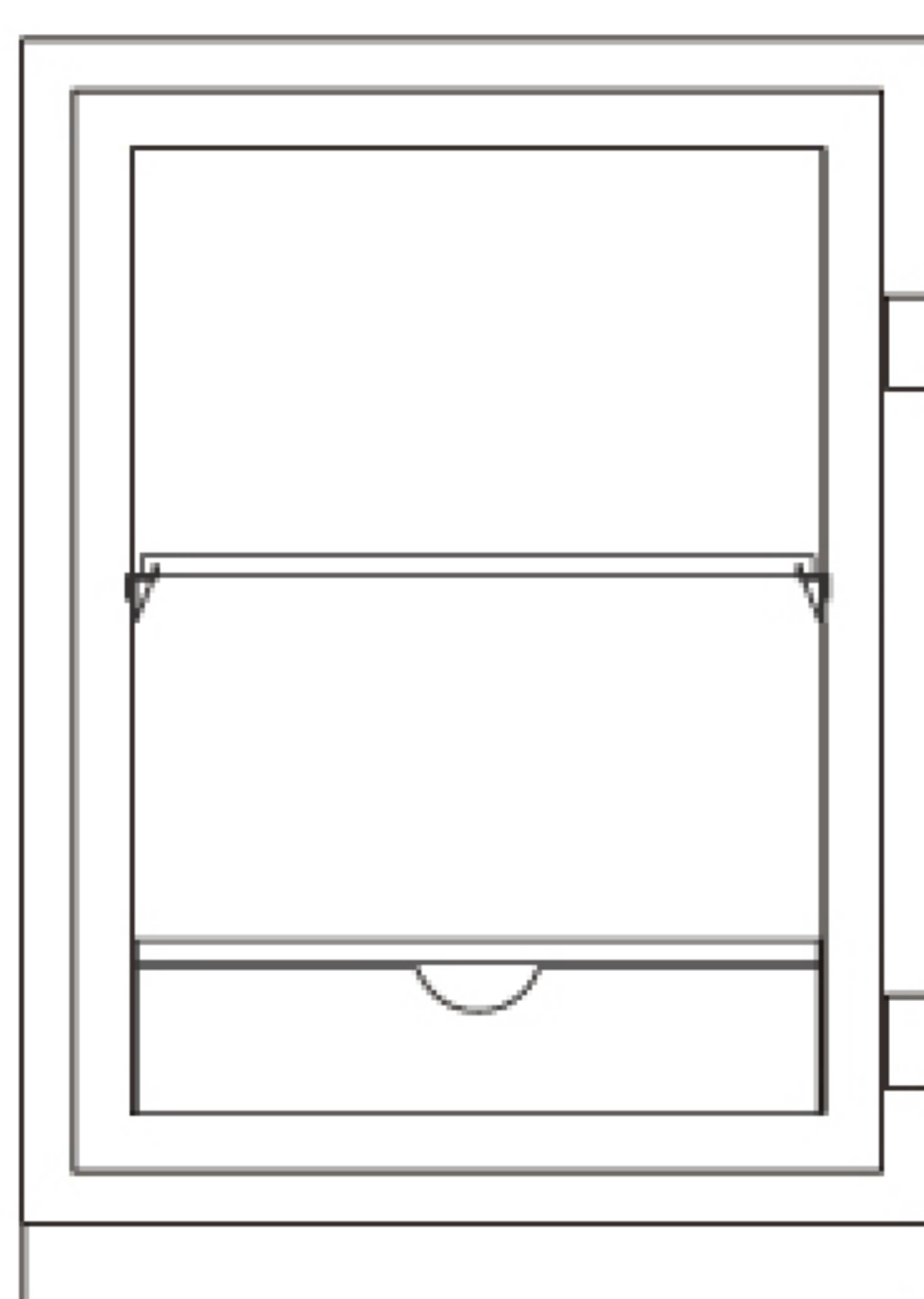
- | | |
|------------------------------------|--------------------------|
| ① User code, Finger print | ⑦ Paralysis function |
| ② User code : 4 to 16 digits | ⑧ Dual Control function |
| ③ Finger prints available : 128 | ⑨ Built-in Alarm |
| ④ FND (Flexible Numerical Display) | ⑩ Low battery indication |
| ⑤ Code and Sound Hide system | ⑪ Reset button |
| ⑥ Scramble numbers | |

Premium Safe *NEXT* is a next generation safe and suitable for both at home and in the office



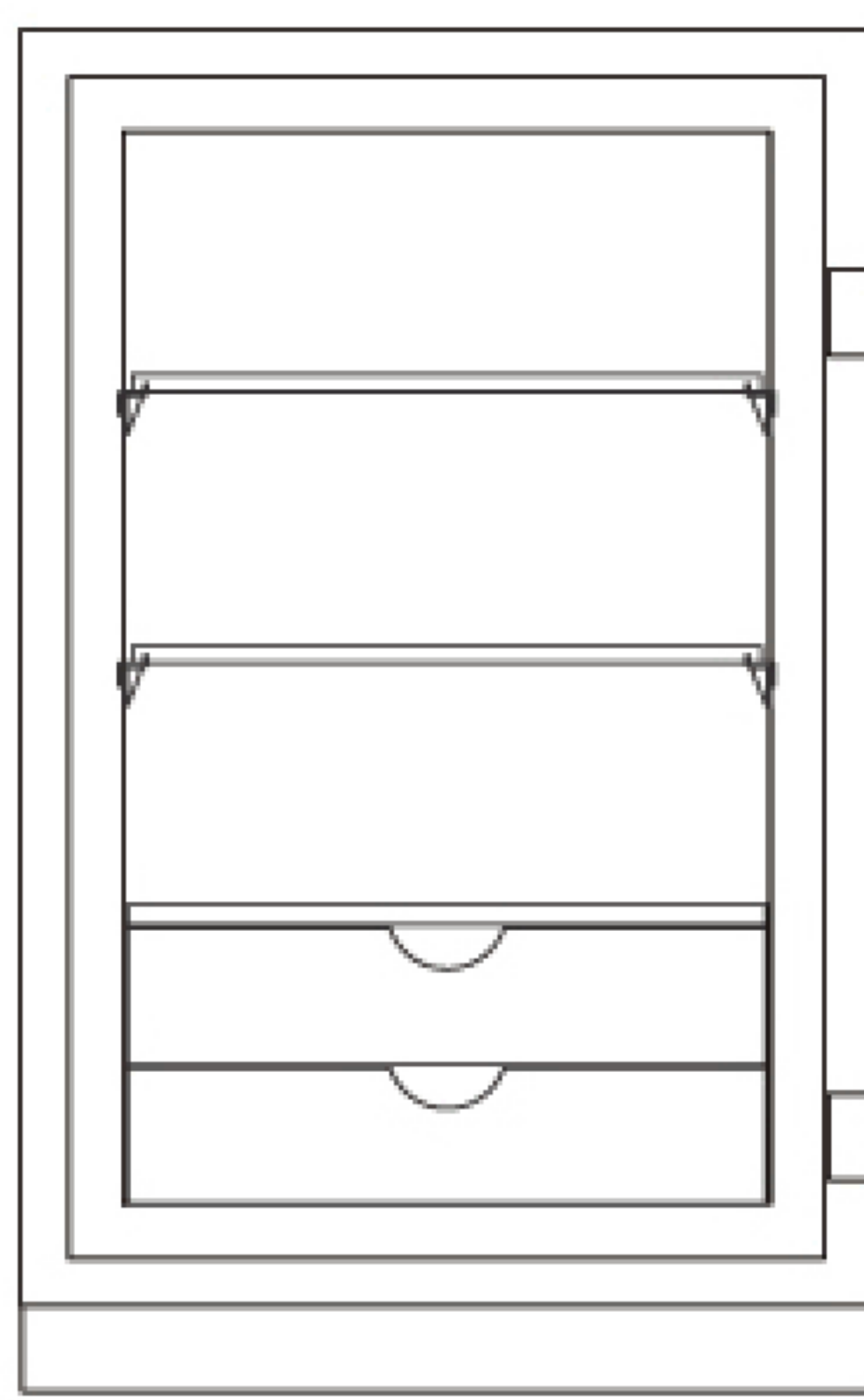
DPS 5500

Exterior H600 x W500 x D541 mm
 Interior H430 x W380 x D320 mm
 Weight 115 kg
 Capacity 52,2 ℓ
 Shelf 1 pc
 Drawer 1 pc * Inside : H72 x W285 x D265 mm



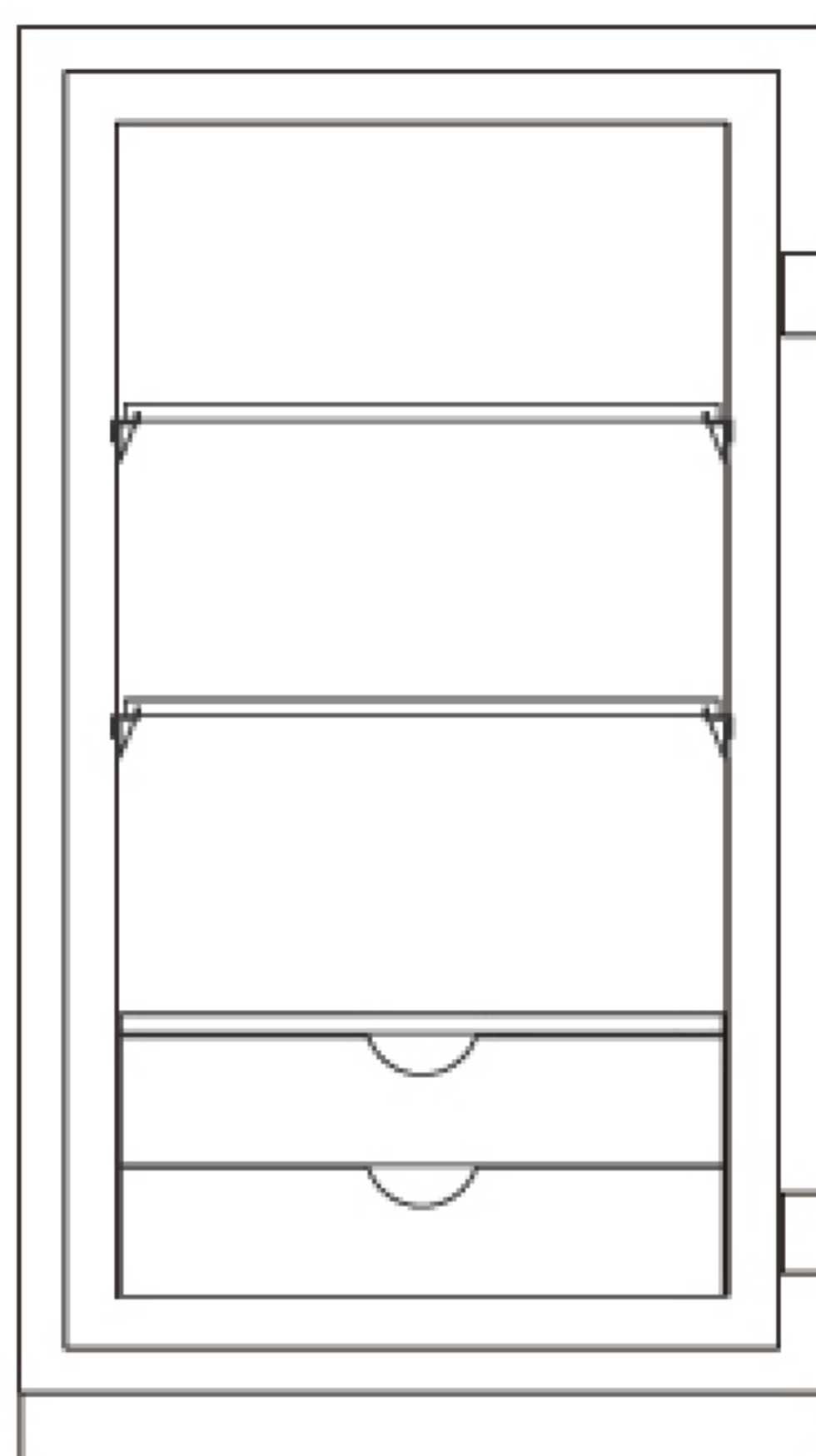
DPS 6500

Exterior H700 x W500 x D541 mm
 Interior H530 x W380 x D320 mm
 Weight 130 kg
 Capacity 64,4 ℓ
 Shelf 1 pc
 Drawer 1 pc * Inside : H72 x W285 x D265 mm



DPS 7500

Exterior H800 x W500 x D541 mm
 Interior H630 x W380 x D320 mm
 Weight 145 kg
 Capacity 76,6 ℓ
 Shelf 2 pc
 Drawer 2 pc * Inside : Upper – H82 x W285 x D265 mm
 Lower – H72 x W285 x D265 mm



DPS 8500

Exterior H900 x W500 x D541 mm
 Interior H730 x W380 x D320 mm
 Weight 160 kg
 Capacity 88,7 ℓ
 Shelf 2 pc
 Drawer 2 pc * Inside : Upper – H82 x W285 x D265 mm
 Lower – H72 x W285 x D265 mm

Premium Safe **NEXT**

has gracious space by outstanding modern design.

Genuine wood pattern

- Genuine wood layer door panel in different patterns every lot.
- The wood pattern on the picture doesn't accord with that of the actual safe.



Wood



- Outstanding **DESIGN**
- Smart Lock **TFL**
- Reinforced **ANTI-THEFT**
- Four **MODELS & COLORS**
- Convenient **INTERIOR**
- Durable **FIRE RESISTANCE**

Color Option



Cherry



Black



White