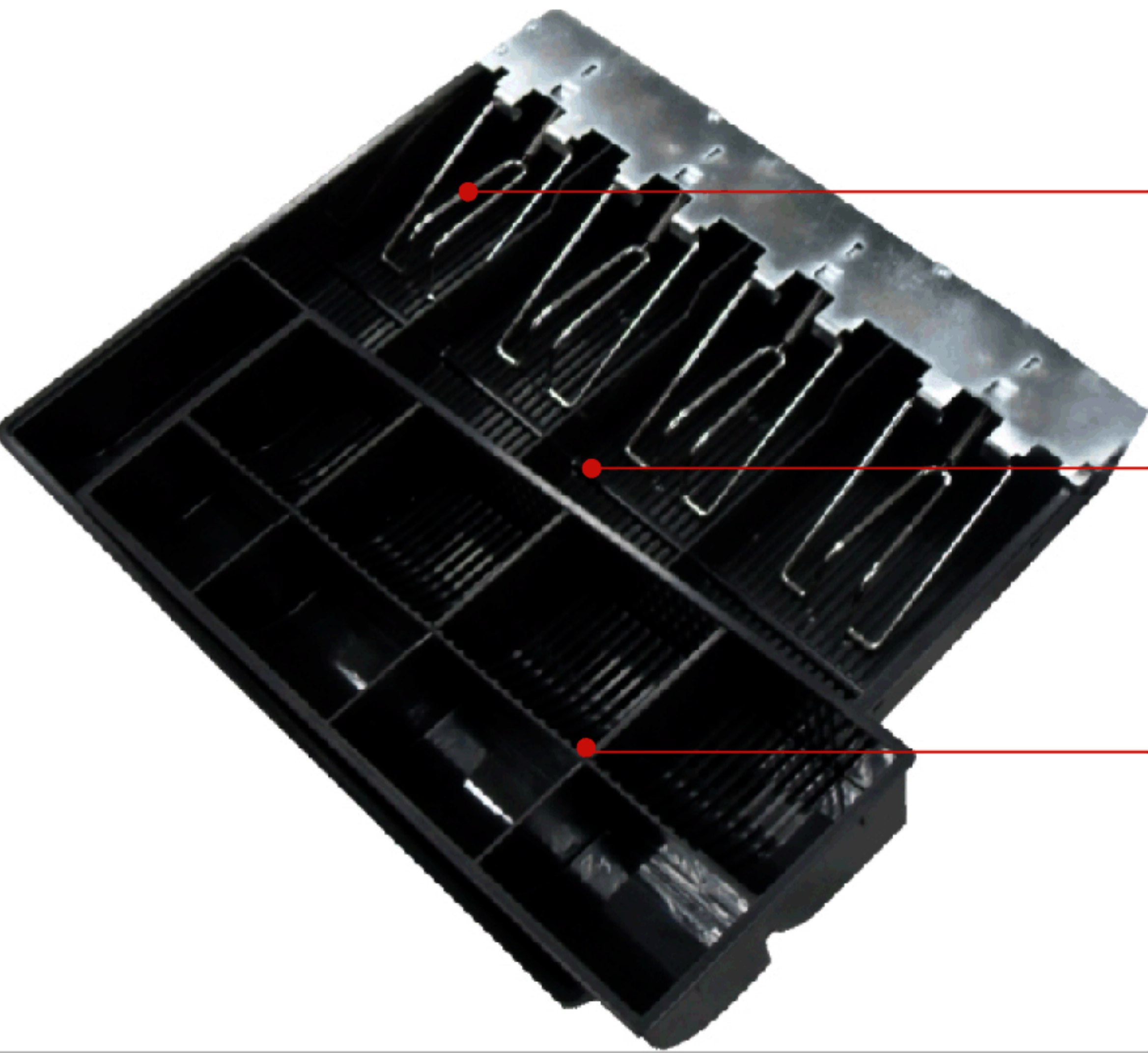


# DSL

# Heavy Duty Small Cash Drawer

Make It Happen

INNOVATION QUALITY SERVICE



## MK-350

All metal construction, suitable for heavy duty use and prolonged operational life, the ideal choice for reliability and perfect platform any compact EPOS terminal. Adjustable and removable 4 bills and 8 coins cash tray with metal wire grippers, making it world wide compatible

Durable Metal Wire Gripper  
Tested over one million operations

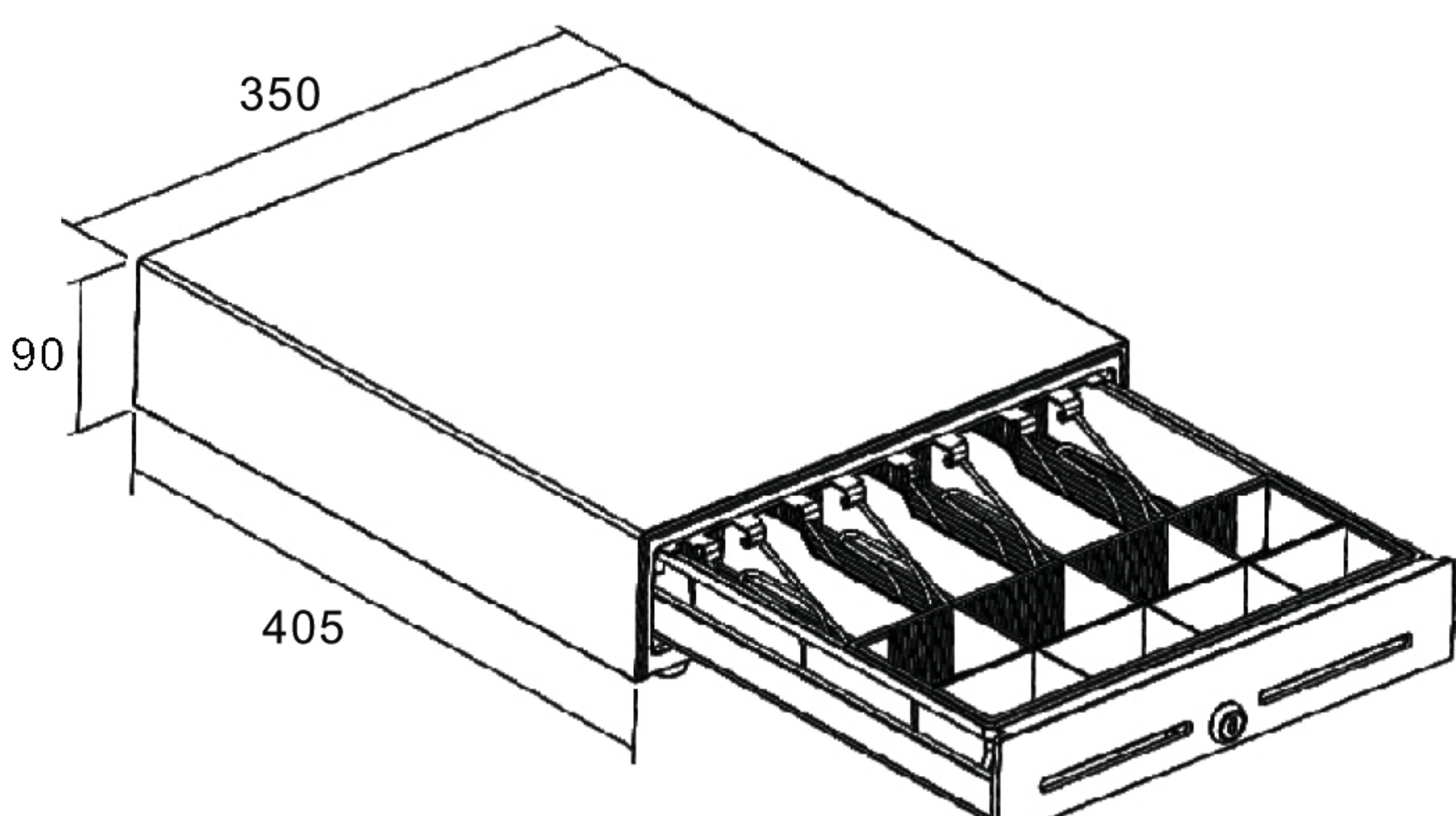
Easy and comfortable operation. Human Engineering Design

Removable and adjustable cash tray

## MK-350 Specifications

<b>MODEL NUMBER</b>	MK-350	
<b>PHYSICAL</b>		
<b>Dimension</b>	350 (W)x405 (D)x90 (H)mm	
<b>Construction</b>	All metal construction	
<b>Finish</b>	Textured hybrid powder coat	
<b>Color</b>	Black, Beige and Custom type	
<b>Roller</b>	Polyurethane for smooth operation	
<b>CASH TRAY (INSERT)</b>		
<b>Construction</b>	Shatter-resistant plastic	
<b>Currency Layout</b>	4,5-Bill with Metal Metal wire grippers, 8 Adjustable Coin Slots	
<b>Media Slots</b>	2	
<b>OPERATION</b>		
<b>Lock</b>	3-Position lock / 4-Functions: locked open/ closed, manual open, electronically driven	
<b>Interface</b>	RJ11, RJ12, USB, RS232, DC $\Phi$ 2.5 /3.5 Jack, custom type	
<b>Lifecycle</b>	MTBF 1,000,000 times +	
<b>Micro Switch</b>	Cash Drawer Status Micro Switch	
<b>OPTION</b>		<b>ACCESSORIES</b>
Stainless Steel Front	<b>Part Number</b>	<b>Description</b>
Cash tray with different currency layout	Tray-3548, Tray-3558	Cash Tray
Different color	DT-100U	USB Trigger
Different interfaces	DT-100RS	Serial Interface Trigger

<b>Packing Details</b>			
Models	Net Weight(kg)	Gross Weight(kg)	Carton Size(cm)
MK-350	5.4	6.1	45.3 x 40.2 x 13.5



MK-350

